

RadMaster®

Installing Configurable Relay Board Manual

Revision: 16.00.00.123/11/2009
Doc Number: CC-RM-IM

© 2009 Comeragh Controls Ltd

No part of this document may be reproduced by any process without the prior written permission from Comeragh Controls Ltd.

The information in this document is provided for reference only. While every effort has been made to make sure it is accurate and complete, Comeragh Controls Ltd does not accept any liability arising out of the application or use of the information or products described herein. Moreover, Comeragh Controls Ltd reserves the right to alter specifications or procedures without notice.

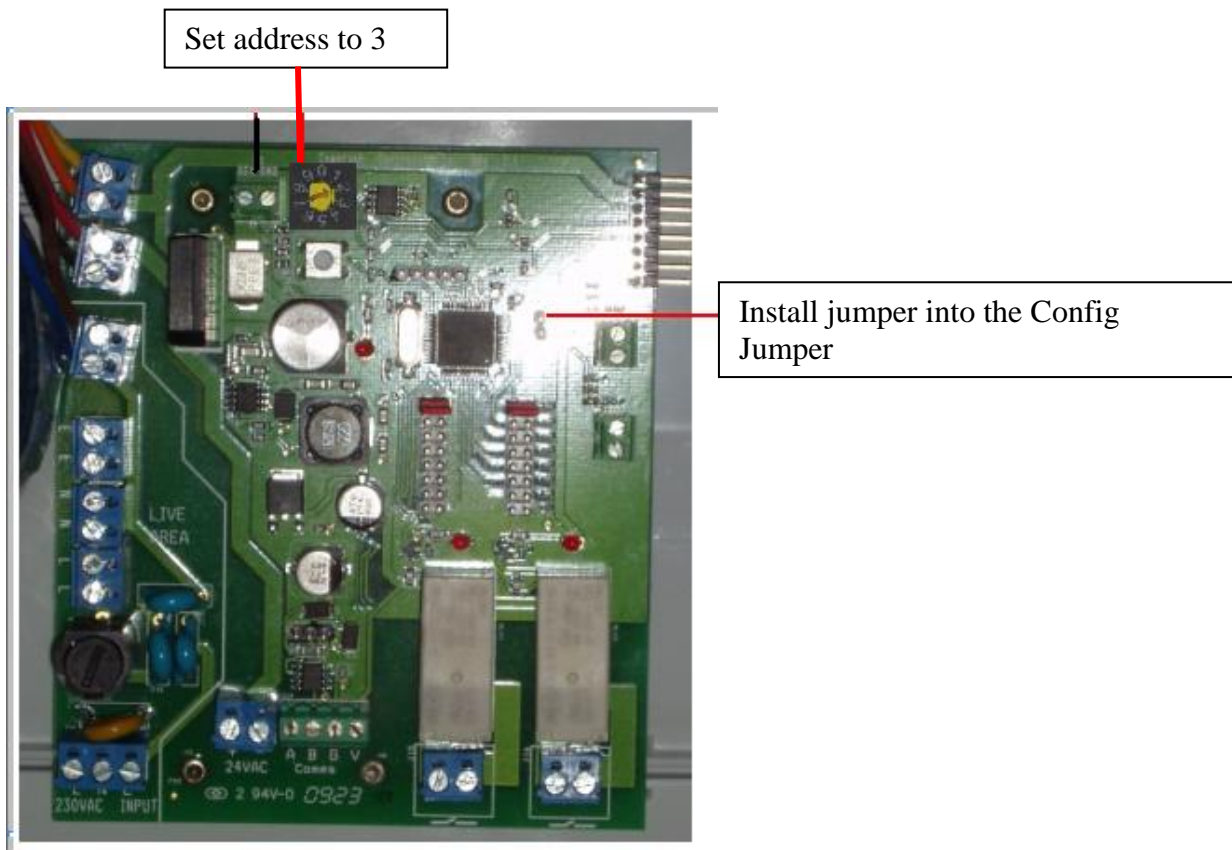
This document may contain or refer to information or products protected by copyright or patents and does not convey any license under the patent rights of Comeragh Controls Ltd nor the rights of others.

All products referred herein are trademarks of their respective owners.

Installing Configurable Relay Board

Key Steps

- Install jumper into the Config Jumper (see diagram below)
- Set the dial address block to 2 (see diagram below)
Note in the console this will appear as Logic Box 3
- Config console (see manual)



Note :
Configurable systems cannot be used on
Back Boiler Systems

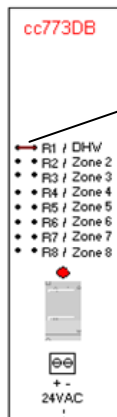
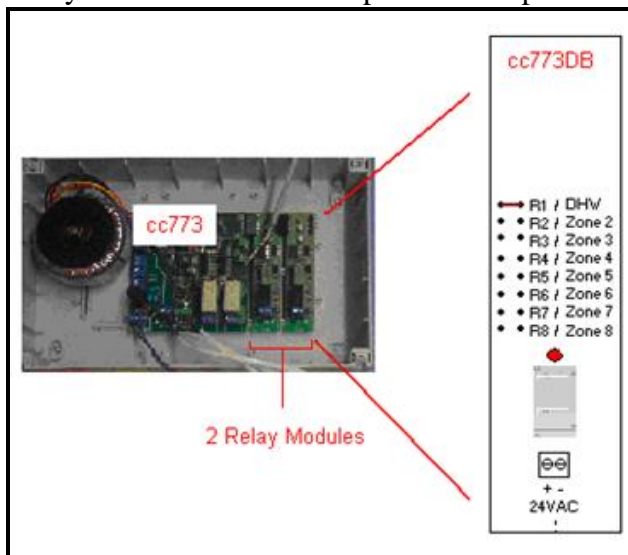
Adding a Daughter Board to be also configurable

Note:

1. Install Daughter board as per photo (Ensure power is off or board will be damaged)
2. Install Jumper into top position (R1/Zone 1) as this is the 3rd relay in the box it will Relay 3 from the console's perspective

Note:

Relay Modules are 24VAC powered outputs.



- Insert Jumper into Top Position (R1/Zone 1)
- This represent Relay 3 to console (as relay 1 & 2 are already fitted)