

25 MARCH 2024

© 2022 Criosu Controls Ltd

No part of this document may be reproduced by any process without the prior written permission from Criosu Controls Ltd.

The information in this document is provided for reference only. While every effort has been made to make sure it is accurate and complete, Criosu Controls Ltd does not accept any liability arising out of the application or use of the information or products described herein. Moreover, Criosu Controls Ltd reserves the right to alter specifications or procedures without notice.

This document may contain or refer to information or products protected by copyright or patents and does not convey any license under the patent rights of Criosu Controls Ltd nor the rights of others.

All products referred herein are trademarks of their respective owners.

# APP- SCHEMATIC CAPTURE

(REV 20.1.42+)

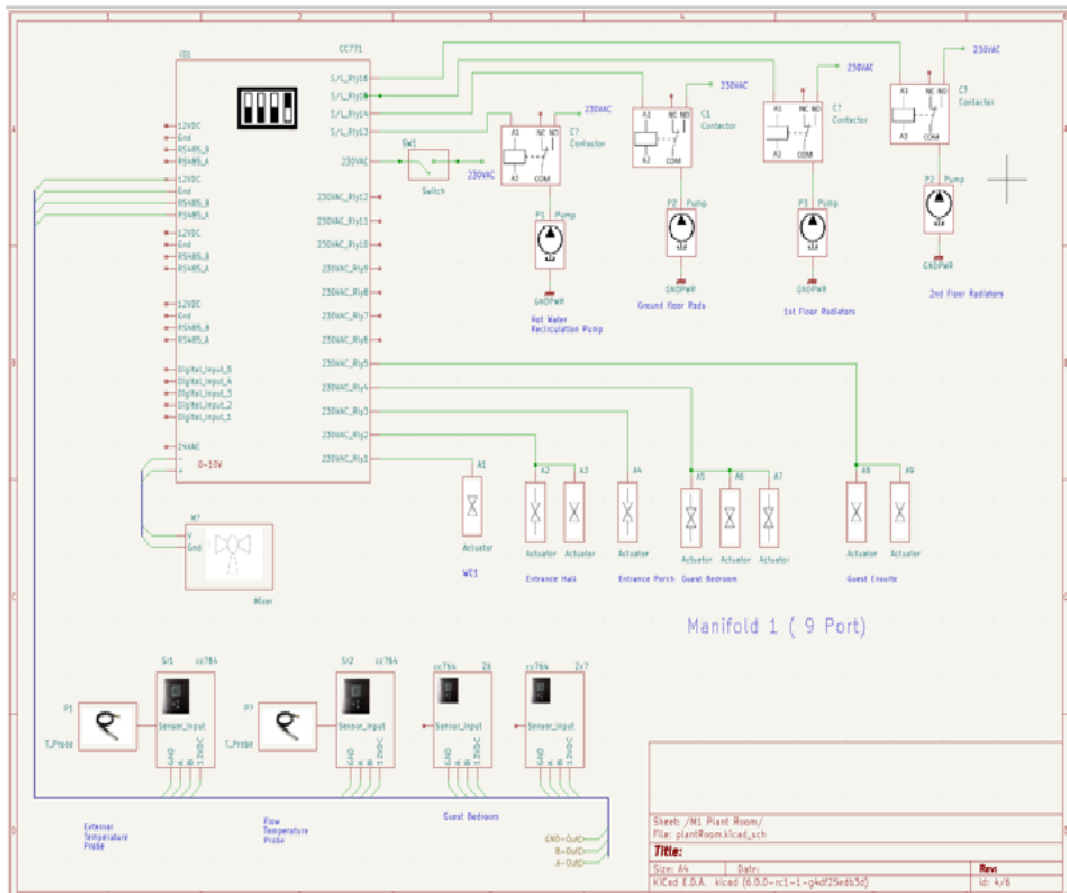
CRIOSU CONTROLS

## Table of Contents

Introduction.....	2
Installation Steps.....	3

# Introduction

KiCad is an open source application tool that may be used to create schematics for 1<sup>st</sup> and 2<sup>nd</sup> Fix Drawing. A Criosu Controls Symbols Library is available for Criosu Controls Products.



## Installation Steps

Step	Actions
1	Download and Install the KiCad Schematic Capture tool
2	Down load and import the Criosu Controls Symbols Library