




# iCon - Intelligent Control for Heating Systems

## iCon – Quick User Manual


### 1. MODES

---

- 2.1 User modes** The system has 4 modes of operation  
**Manual:** all zones are **off** until turned **on** individually  
**Timer:** all zones are controlled via the **time clock**  
**ON/OFF:** all zones are switched on or off simultaneously

- 2.2 Selecting a mode-** Press  until the correct mode is indicated on screen.  
Mode selected also indicated by the LEDs on the console.

- 2.3 Zone Control**  
Heating and domestic hot water are controlled through zones.  
A zone is a room or area which is to be heated independently.

Turning a zone ON or OFF enter the zone number and press  key.

### 2. ROOM SETTING FROM THE CONSOLE

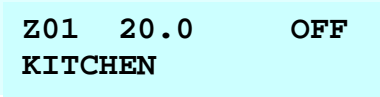
---


#### 2.1 Switch a Zone ON /OFF

**Overview:**

Each zone can be controlled via the Console remotely.  
On the Console enter the zone number

Enter the Zone Number

Console displays 

Use the  key to switch between zone ON / OFF

## 2.3 Change Zone Temperature Settings

Enter the Zone Number

Press **ZONE**

Console displays

<SP20> SB06 BH02  
ZO1

Use **4** and **6** to move between fields <>  
Press **2** or **8** to change their value.

**BH (Boost Heat)**  
Utilize low cost night-time electricity

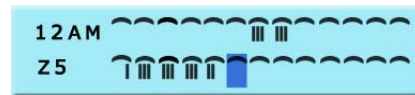
**SB - Set Back**  
Room not in Use

**SP - Set Point**  
Ambient Room Temp

## 2.4 Change Zone Schedule

Enter the Zone Number

Enter the zone number and press **TIME** Console Displays



Use the **4** and **6** buttons to move to the desired hour

- To time heat for the 1<sup>st</sup> 20 minute period press **1** Shown as **↑**
- To time heat for the 2<sup>nd</sup> 20 minute period press **2** Shown as **↑**
- To time heat for the 3<sup>rd</sup> 20 minute period press **3** Shown as **↑**
- To time heat for the entire hour press **5** Shown as **↑↑**

Note: Press them again to turn them off

Press **8** to move to the next **Day**

Press **←** to move to the next **Zone**

Press **HW** to select **Boost Heat**. Note **^** symbol will be displayed for that hour. Repeat for each sequent boost heat hour.

### Boost Heat

When activated, this feature will allow use of the night rate supply when using a heat pump as source. During this time the temperature in the zone is allowed to increase above the normal temperature set point.



# iCon - Intelligent Control for Heating Systems

## 2.2 Change Zone Mode Settings

- Comments:** 3 Mode Setting,  
 a) Optimisation  
 b) Scheduling  
 c) Sensor Button Lock Out

Enter the Zone Number

Press **MODE**

Console displays

<NORML>    NORML  
 ZO1    LK OFF    ↑

Use **4** ← and **6** → to move between fields ◁▷  
 Press **2** ↑ or **8** ↓ to change their value.

**Scheduling**  
**NORML** Follows Zone Schedule  
**DIS** Frost Protection Mode.  
 Sensor is blanked.  
 Revert to Normal at console or press power button at stat  
**STOP** Ignores Schedule – Move to Set Back  
 Sensor displays SB


**Zone Sensor Button Lockout**  
**LK OFF** Sensor Buttons will **not** respond (Public Areas)  
**LK ON** Sensor Buttons will respond  
 Lockout Allows the zone to function as normal but prevents  
 the settings being altered from the zone sensor.

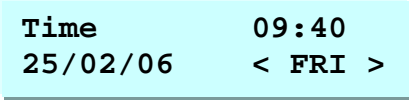
**Optimisation**  
**NORML** No optimisation - Follows the timed schedule for the Zone  
**CRV 1** Preheats Zone **1 Hr** prior to the scheduled ON time [c1 displayed on sensor when overriding ON time]  
**CRV 2** Preheats Zone **2 Hr** prior to the scheduled ON time [c2 displayed on sensor when overriding ON time]  
**CRV 3** Preheats Zone **3 Hr** prior to the scheduled ON time [c3 displayed on sensor when overriding ON time]  
**AUTO** This setting will self-learn the thermal inertia of the room and adjust the start time from memory  
 [cA displayed on sensor when overriding ON time]  
 Optimisation This is a mechanism of ensuring zone temperatures are achieved according to the programmed schedule.





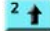

# iCon - Intelligent Control for Heating Systems

## 3. SET TIME


Press  key .

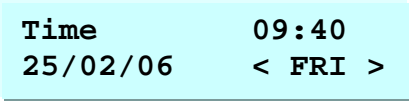
Console Displays 


Move brackets press  and .


Change value press  or .

## 4. SET VACATION DATE

Press  key .


Console Displays 

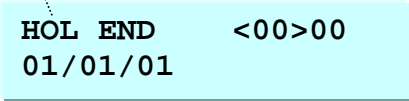
Press  key


Console Displays 



Holidays Begin



Holidays Ends



Press  key



Console Displays 

Press  key

Move brackets press  and .

Change value press  or .

Move brackets press  and .


Change value press  or .

## 5. DOMESTIC HOT WATER


### 4.1 Hot Water Control

Hot Water is controlled via it's Zone number (Normally Zone 32)  
 Hot water is timed as a zone [e.g. zone 32] and can also be switched on/off like a zone  
**NOTE:** HEATING OFF does not affect the domestic hot water.

### 4.2 Hot Water Boost

To turn on/off domestic **hot water boost** press 

The HW key turns the Immersion on for 2 Hours.

**NOTE:** To return to the display to normal operation from any function at any time just press 



# iCon - Intelligent Control for Heating Systems

## 6. Thermostats

The Thermostat is very easy to use:

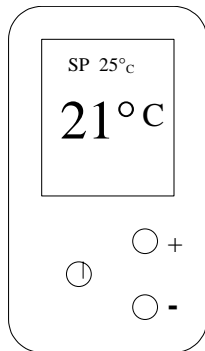
Normally the Thermostat indicates in large digits the current temperature and the set point temperature (SP).

### Mode setting

Press Power Button to change the Mode setting

- I. Normal
- II. Stop – SB Mode (Ignores Schedule and stays in Set Back)
- III. Disable – Frost Protection

### Temperature Settings



To change the set point **SP**

Press **-** or **+** to increase or decrease the desired temperature

To change the set back **SB**

Press **-** or **+** to illuminate the display

Press **Power Button** until **SB** is displayed

Press **-** or **+** to adjust the set back temperature offset.

To change the boost heat **BH** :

Repeat the steps for changing the set back

To switch on/off the Thermostat

Press **Power Button**